

AVC Multi-level Door Manual



**FreightCar
America**

17 Johns Street
Johnstown, PA 15901 USA

814.533.5000

800.458.2235

Fax 814.533.5010

www.freightcaramerica.com

Revised 5/1/06

Table of Content

	Page(s)
QUICK LIST FOR PRE-TRIP FACILITIES	3-5
DIAGRAHMS	6-13
Sketch 1 Door Subassemblies 1	6
Sketch 2 Door Subassemblies 2	7
Sketch 3 Door Outside View.....	8
Sketch 4 Door Inside View	9
Sketch 5 Door Inside Exploded View	10
Sketch 6 Door Castings.....	11
Sketch 7 Door Fastener Arrangement.....	12
Sketch 8 Door Edge Protection	13
DETAILED PARTS LIST	14-19
DOOR ADJUSTMENT GUIDELINES	20-22

QUICK LIST FOR PRE-TRIP FACILITIES

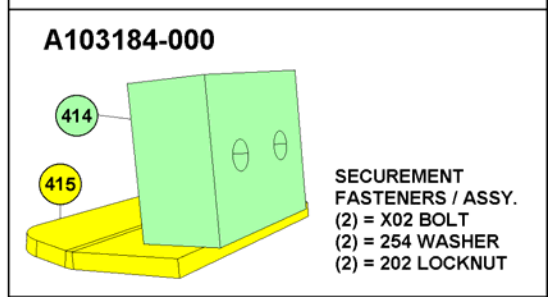
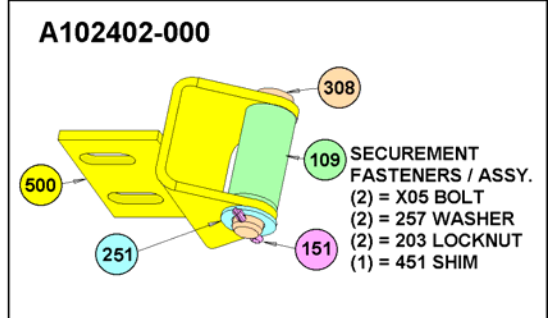
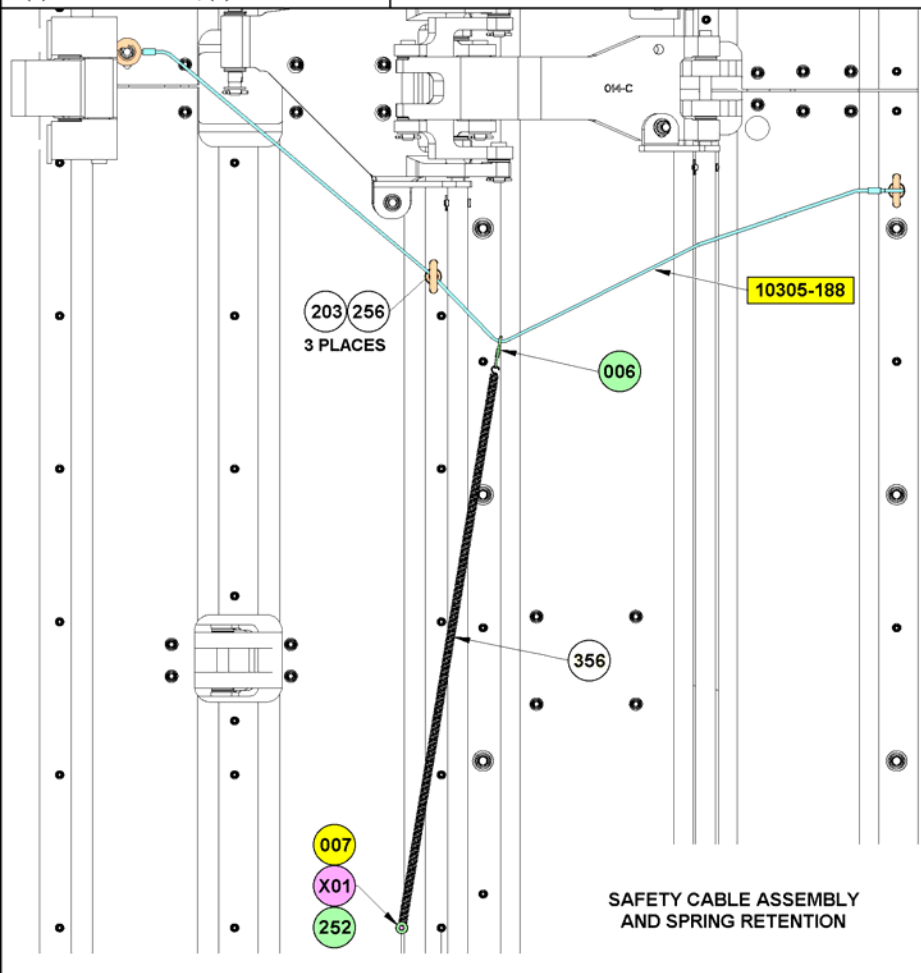
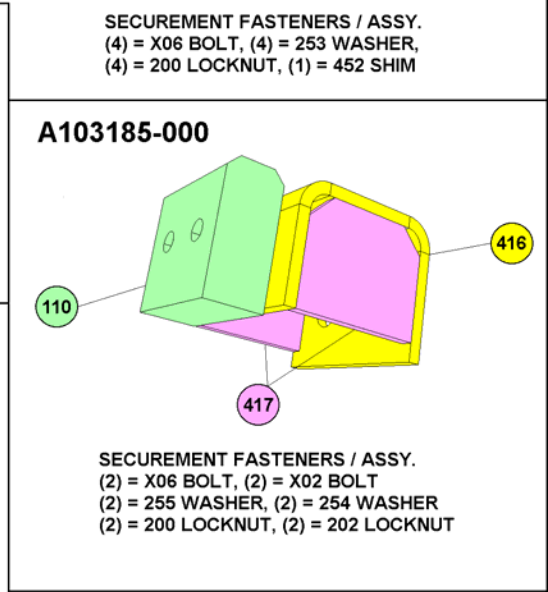
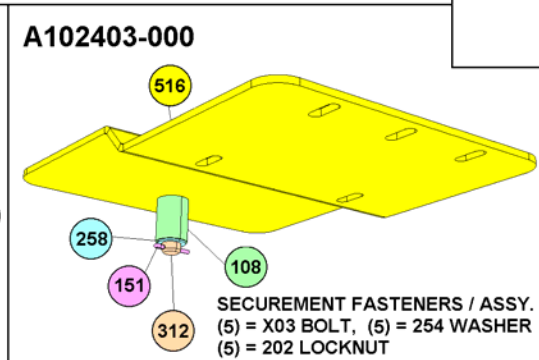
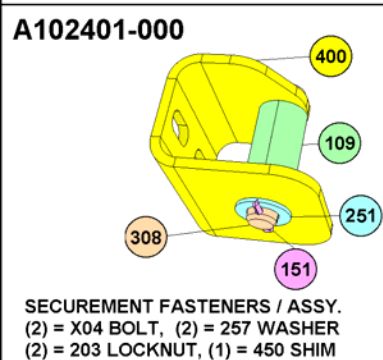
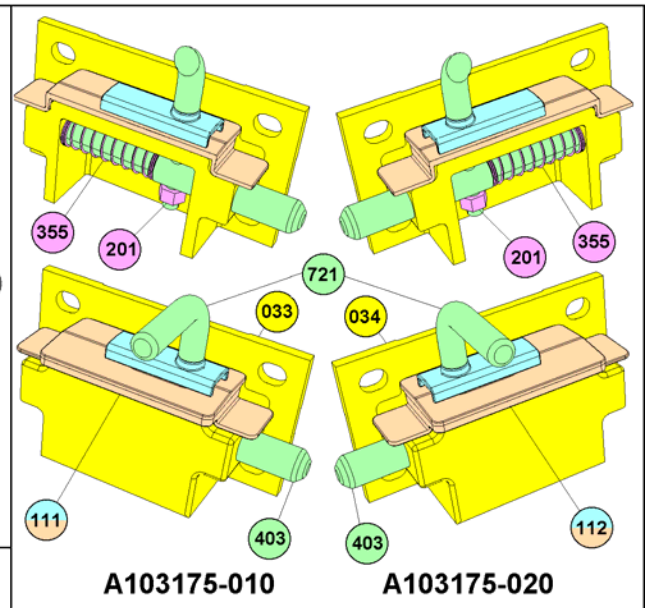
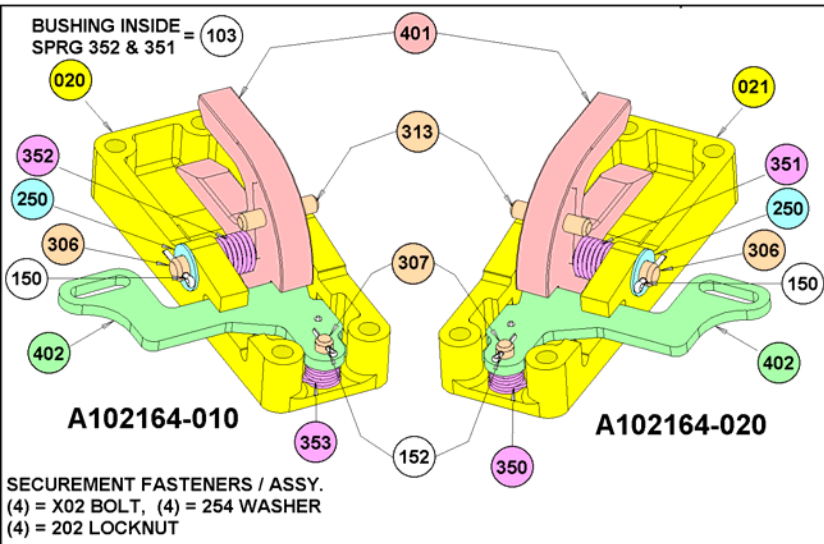
ref #	see sktch	pn	description	notes	DWG / PN
	1	A102164-010	DOOR LOCK ASSEMBLY	AL BR BOTTOM, AR BL TOP	
	1	A102164-020	DOOR LOCK ASSEMBLY	AR BL BOTTOM, AL BR TOP	
	1	A103175-010	DOOR LOCK ASSEMBLY HOLD OPEN	BL AR	
	1	A103175-020	DOOR LOCK ASSEMBLY HOLD OPEN	BR AL	
	1	A102401-000	A-DECK STRIKER ASSEMBLY		
	1	A102402-000	B-DECK STRIKER ASSEMBLY		
	1	A102403-000	ROOF STRIKER ASSEMBLY		
	1	A103185-000	DOOR SUPPORT ASSEMBLY	CAR SIDE	
	1	A103184-000	DOOR SUPPORT ASSEMBLY	DOOR SIDE	
001	1	10305-188	CABLE ASSEMBLY, DOOR		
006	1	10305-268	THREADED CONNECTING LINK	Added 03/2006	
007	1	10305-269	SPACER, ¼"X 3/8"X 1"	Added 03/2006	
030	6	10314-030	HINGE, BRIDGE PLATE, CAST STEEL		
031	6	10314-031	HINGE, BRIDGE PLATE, SS		
033	1,6	10314-033	LOCK, HOUSING, ALUMINUM		
034	1,6	10314-034	LOCK, HOUSING, ALUMINUM		
102	3	10263-003	BUSHING, DOOR , 1.375 RD X 0.750 LG.		M102261-000
103	1,2	10263-004	BUSHING, DOOR LOCK, 0.625 RD X 0.79 LG.		M102263-000
104	2	10263-005	BUSHING, LATCH ROD, 0.375 RD. X 0.438 LG.		M102275-000
105	2	10263-006	BUSHING, LOCK ACTUATOR, 2.0 RD. X 0.25 DIA.		M102312-000
106	3	10263-007	BUSHING, DOOR LOCK, 1.015 RD. X 3.375 LG.		M102343-000
108	1	10292-035	SLEEVE STRIKER, 1.25 IN DIA, X 1.75 IN LONG		M102365-000
109	1	10292-036	SLEEVE STRIKER, 1.25 IN DIA, X 2.5 IN LONG		M102366-000
110	1	10292-037	SUPPORT DOOR, 2.75 X 1.25 X 2.75 IN LONG, GR. UHMW PE		M102270-000
111	1	10292-049	DOOR LOCK COVER PLATE W/CAP BLAR	Added 03/2006	
112	1	10292-050	DOOR LOCK COVER PLATE W/CAP BRAL	Added 03/2006	
150	1,2	10238-034	COTTER PIN, 1/8 IN X 1IN STAINLESS STEEL		98355A140
151	1,3,5	10238-048	COTTER PIN, 5/32 IN X 1-1/4 IN STAINLESS STEEL		
152	1,2,5	10238-049	COTTER PIN, 3/32 IN X 3/4 IN STAINLESS STEEL		
153	2	10238-052	COTTER PIN, 5/64 IN X 1/2 IN STAINLESS STEEL		
200	1,3	10264-004	LOCKNUT, 5/8 IN - 11, UNA-DRIV STOVER		SN7516LB
201	1	10250-003	½" CENTER LOCK NUT	Added 03/2006	
202	1,2	10264-037	LOCK NUT, 3/8", STOVER, ELISHA COATED	Added 03/2006	
203	1	10264-038	LOCK NUT, 1/2" ELISHA COATED	Added 03/2006	
250	1,2	10340-053	WASHER, 0.531 ID, X 1 OD, X 0.063", 1/2" STD NARROW, SS		
251	1	10340-054	WASHER, 0.812 ID, X 1.375 OD, X 0.1", 3/4" STD NARROW, SS		
252	1,2	10340-069	WASHER, .375 NOMINAL, SS, .25 I.D. X .734 O.D. X .063 THK		
253	1,3	10340-075	WASHER, 5/8 IN, HARDENED, A-325 ZINC PLATED		
254	1,2	10340-094	WASHER, 3/8 IN STANDARD, ZINC AND ELISHA PLATED		
255	1	10340-095	WASHER, 5/8", 1 3/4" OD. ZINC AND ELISHA PLATED		

QUICK LIST FOR PRE-TRIP FACILITIES

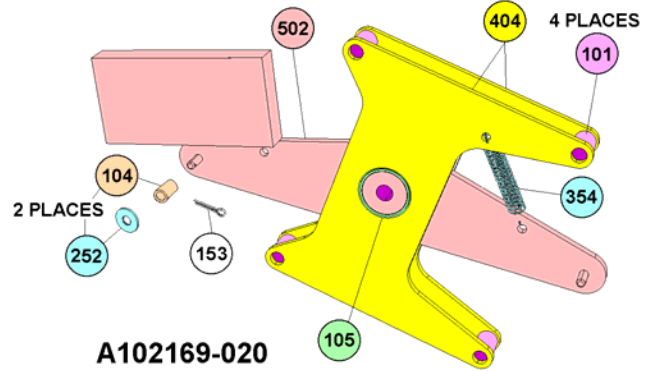
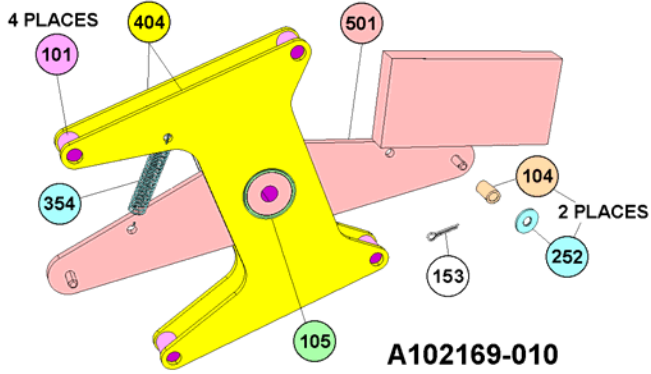
ref #	see sktch	pn	description	notes	DWG / PN
256	1	10340-096	WASHER, 1/2 ID, 2 OD, 1/8" THICK, ZINC AND ELISHA PLATED		
257	1	10340-097	WASHER, 1/2", ZINC AND ELISHA PLATED		
258	1	10340-099	WASHER, 0.781 ID X 1.25 OD, X 0.075", STAINLESS STEEL		10340-099
301	5	10190-043	CLEVIS PIN, 3/8 DIA X 1-1/2 LG, 5/32 DIA HOLE - SS		92390A273
302	3	10190-045	CLEVIS PIN, 3/4 DIA X 6-1/2 LG, 0.182 DIA HOLE - SS		
303	3	10190-046	CLEVIS PIN, 3/4 DIA X 7 LG, 0.182 DIA HOLE - SS		
304	3	10190-047	CLEVIS PIN, 3/4 DIA X 6-3/4 LG, 0.182 DIA HOLE - SS		
305	5	10190-048	CLEVIS PIN, 3/4 DIA X 2-1/4 LG, 0.182 DIA HOLE - SS		
306	1	10190-049	CLEVIS PIN, 1/2 IN DIA X 3 LG, 5/32 DIA HOLE - SS		92390A395
307	1,2	10190-050	CLEVIS PIN, 3/8 IN DIA X 1-1/8 LG. 5/32 DIA HOLE - SS		92390A270
308	1	10190-052	CLEVIS PIN, 3/4 IN DIA X 3 1/2 LG. 0.182 DIA HOLE - SS		
309	3	10190-055	CLEVIS PIN, 3/4 DIA X 5 LG, 0.182 DIA HOLE - SS		
310	5	10190-056	CLEVIS PIN, 3/4 DIA X 6 LG, 0.182 DIA HOLE - SS		
311	3	10190-057	CLEVIS PIN, 3/4 DIA X 9 LG, 0.182 DIA HOLE - SS		
312	1	10190-069	CLEVIS PIN, 3/4 IN DIA X 2 1/2 LG. 0.182 DIA HOLE - SS		
313	1,2	10190-070	ROLL PIN, 3/8 X 1-3/4 LG, STAINLESS STEEL		
314	2	10190-078	CLEVIS PIN, 1/2 IN DIA X 4 LG, 5/32 DIA HOLE - SS		
350	1,2	10320-019	SPRING, TORSION, LH 0.767 OD X 0.637 ID X 0.065 WIRE DIA		
351	1,2	10320-020	SPRING, TORSION, RH 0.891 OD X 0.721 ID X 0.085 WIRE DIA		
352	1,2	10320-021	SPRING, TORSION, LH 0.891 OD X 0.721 ID X 0.085 WIRE DIA		
353	1,2	10320-022	SPRING, TORSION, RH 0.767 OD X 0.637 ID X 0.065 WIRE DIA		
354	2	10320-033	EXTENSION SPRG, 0.635 OD X 2.481 INSIDE ENDS, 0.080 IN WIRE DIA	REPLACES 10320-024	
355	1	10320-027	SPRING, COMPRESSION, 0.975 O.D. X 0.849 I.D. X 3.5 FREE LENGTH, 0.063 WIRE DIA., SS		
356	1	10320-031	SPRING, EXTENSION, 0.5 O.D. X 11, SS	Added 03/2006	
400	1	M102367-000	CLEVIS, A- DECK STRIKER		
401	1,2	M102257-000	LATCH, DOOR LOCK		
402	1,2	M102258-000	RELEASE, DOOR LOCK		
403	1	M103173-000	ROD, LOCK HOUSING		
405	3,5	M103671-001	RETAINER, DOOR	Revised 03/2006	
408	5	M102247-001	PIN, DOOR LINK 0.75 X 9.375		
409	5	M102247-002	PIN, DOOR LINK 0.75 X 14.125		
411	3	M103670-001	RETAINER, DOOR	Revised 03/2006	
412	4	M103913-000	DOOR STOP		
416	1	M103183-000	SUPPORT, DOOR	Sold as assy. w/417	
417	1	M103186-000	GUSSET, DOOR SUPPORT	Sold as assy. w/416	
418	4	M103912-000	PAD, DOOR	Added 03/2006	
450	1	M102368-000	SHIM, STRIKER	Added 03/2006	
451	1	M102353-000	SHIM, STRIKER	Added 03/2006	
452	1	M103905-000	SHIM, DOOR LOCK	Added 03/2006	
453	3	M103819-000	SHIM, DOOR RETAINER	Added 03/2006	
455	3	M102344-001	SHIM, DOOR CLEVIS	Added 03/2006	

QUICK LIST FOR PRE-TRIP FACILITIES

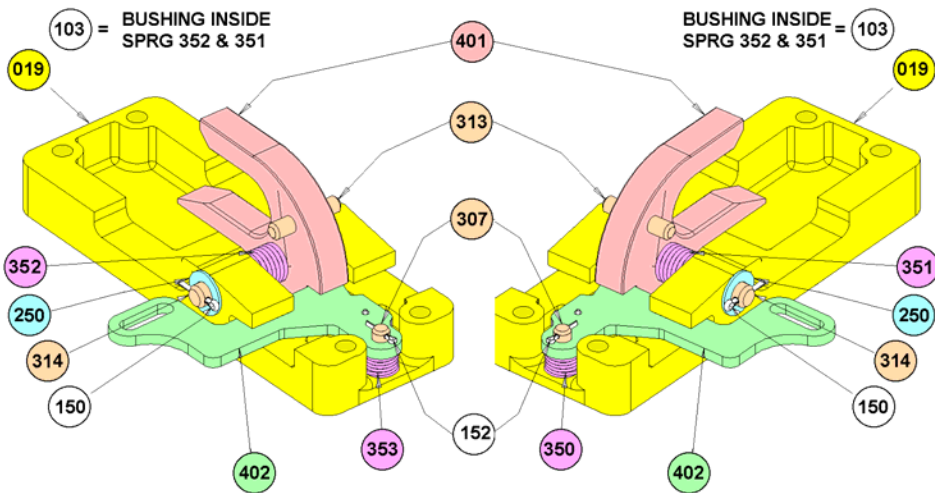
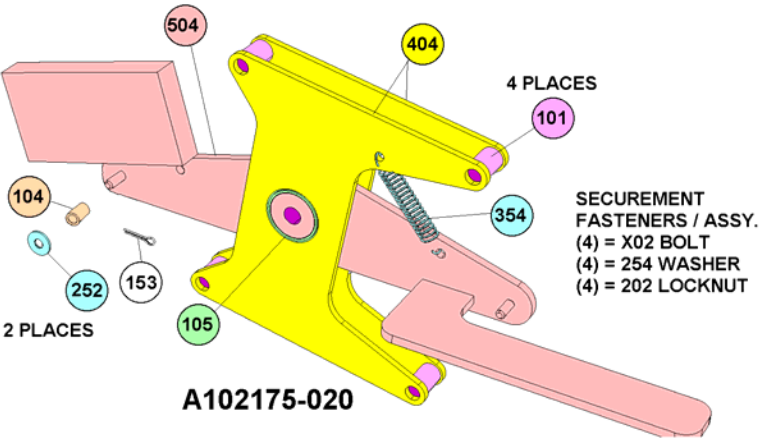
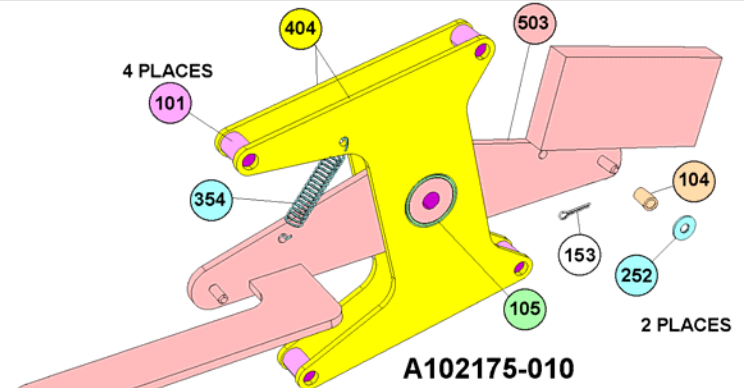
ref #	see sktch	pn	description	notes	DWG / PN
500	1	A102198-000	ASSEMBLY, B-DECK STRIKER		
512	3	A102408-000	ASSEMBLY, HASP		
513	3	A102409-000	ASSEMBLY, STAPLE		
516	1	A102199-000	ASSEMBLY, ROOF STRIKER		
721	1	M103962-000	LOCK HANDLE	Added 03/2006	
901	8	10292-023	JTA DOOR EDGE, 46.50 IN LONG		ZT-375 8B-375
902	8	10292-026	DOOREDGE BUTTONS, 1.615 IN LONG		ZT-176 9B-176
903	8	10292-038	JTA DOOR EDGE PROTECTION AT ROOF, 8 IN WIDE		8B-373
H01	3	10231-151	HUCK COLLAR 1/4"	Added 03/2006	3LC-2R8G4L
H02	3	10231-156	HUCK PIN 1/4"	Added 03/2006	R3530T-R8- 8XDB
H21	3,4,5	10231-149	HUCK COLLAR 3/8"	Added 03/2006	3LC-2R12G4L
H22	3,4,5	10231-152	HUCK PIN 3/8"	Added 03/2006	C6LT-R12-8G4
H23	3,4	10231-154	HUCK PIN 3/8"	Added 03/2006	C6LT-R12-12G4
X01	1	10342-040	1/4" (14) X 2" SELF DRILLING SCREW	Added 03/2006	
X02	1,2	10298-297	HEX BOLT 3/8X2-1/4 ELISHA COATED	Added 03/2006	
X03	1	10298-298	HEX BOLT 3/8 X 1 ELISHA COATED	Added 03/2006	
X04	1	10298-159	HEX BOLT 1/2X1-3/4 ZINC PLATED	Added 03/2006	
X05	1	10298-297	HEX BOLT 1/2X2-1/4 ELISHA COATED	Added 03/2006	
X06	1	10298-065	HEX BOLT 5/8X1-3/4 ZINC PLATED	Added 03/2006	



**DOOR SUB-ASSEMBLIES
SKETCH 1**

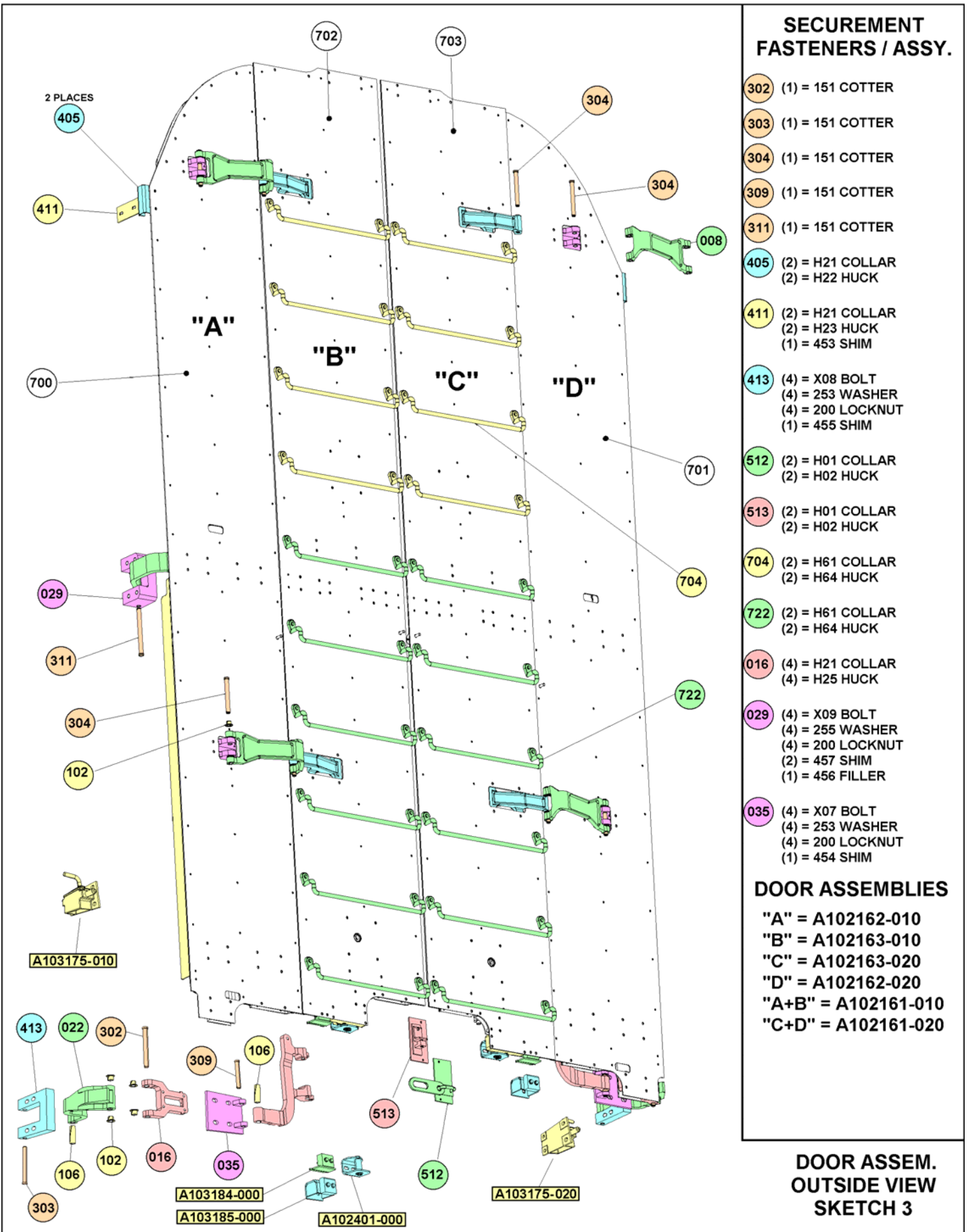


SECUREMENT FASTENERS / ASSY.
(4) = X02 BOLT, (4) = 254 WASHER
(4) = 202 LOCKNUT



SECUREMENT FASTENERS / ASSY.
(4) = X02 BOLT, (4) = 254 WASHER
(4) = 202 LOCKNUT

**DOOR SUB-ASSEMBLIES
SKETCH 2**



**SECUREMENT
FASTENERS / ASSY.**

- 302 (1) = 151 COTTER
- 303 (1) = 151 COTTER
- 304 (1) = 151 COTTER
- 309 (1) = 151 COTTER
- 311 (1) = 151 COTTER
- 405 (2) = H21 COLLAR
(2) = H22 HUCK
- 411 (2) = H21 COLLAR
(2) = H23 HUCK
(1) = 453 SHIM
- 413 (4) = X08 BOLT
(4) = 253 WASHER
(4) = 200 LOCKNUT
(1) = 455 SHIM
- 512 (2) = H01 COLLAR
(2) = H02 HUCK
- 513 (2) = H01 COLLAR
(2) = H02 HUCK
- 704 (2) = H61 COLLAR
(2) = H64 HUCK
- 722 (2) = H61 COLLAR
(2) = H64 HUCK
- 016 (4) = H21 COLLAR
(4) = H25 HUCK
- 029 (4) = X09 BOLT
(4) = 255 WASHER
(4) = 200 LOCKNUT
(2) = 457 SHIM
(1) = 456 FILLER
- 035 (4) = X07 BOLT
(4) = 253 WASHER
(4) = 200 LOCKNUT
(1) = 454 SHIM

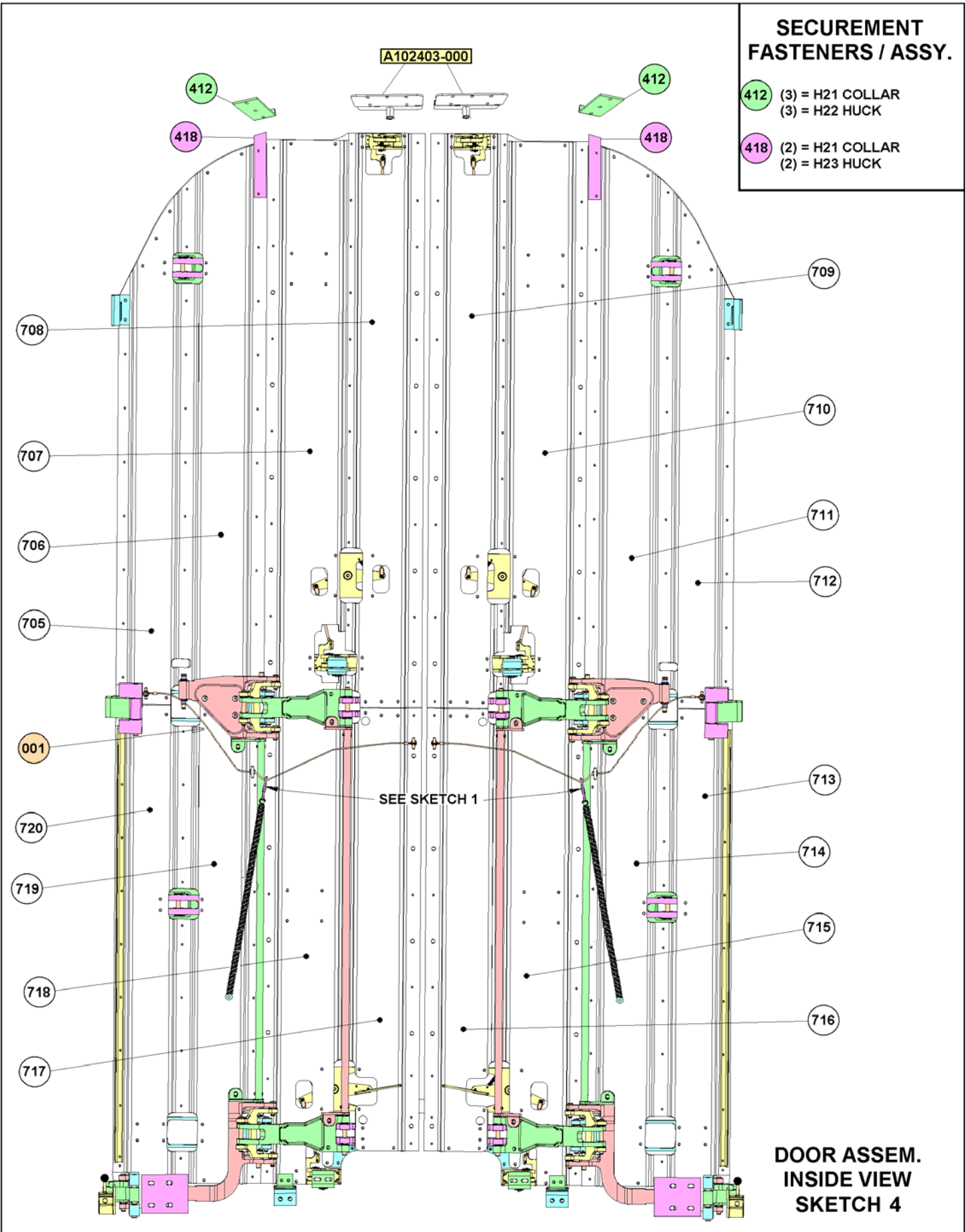
DOOR ASSEMBLIES

- "A" = A102162-010
- "B" = A102163-010
- "C" = A102163-020
- "D" = A102162-020
- "A+B" = A102161-010
- "C+D" = A102161-020

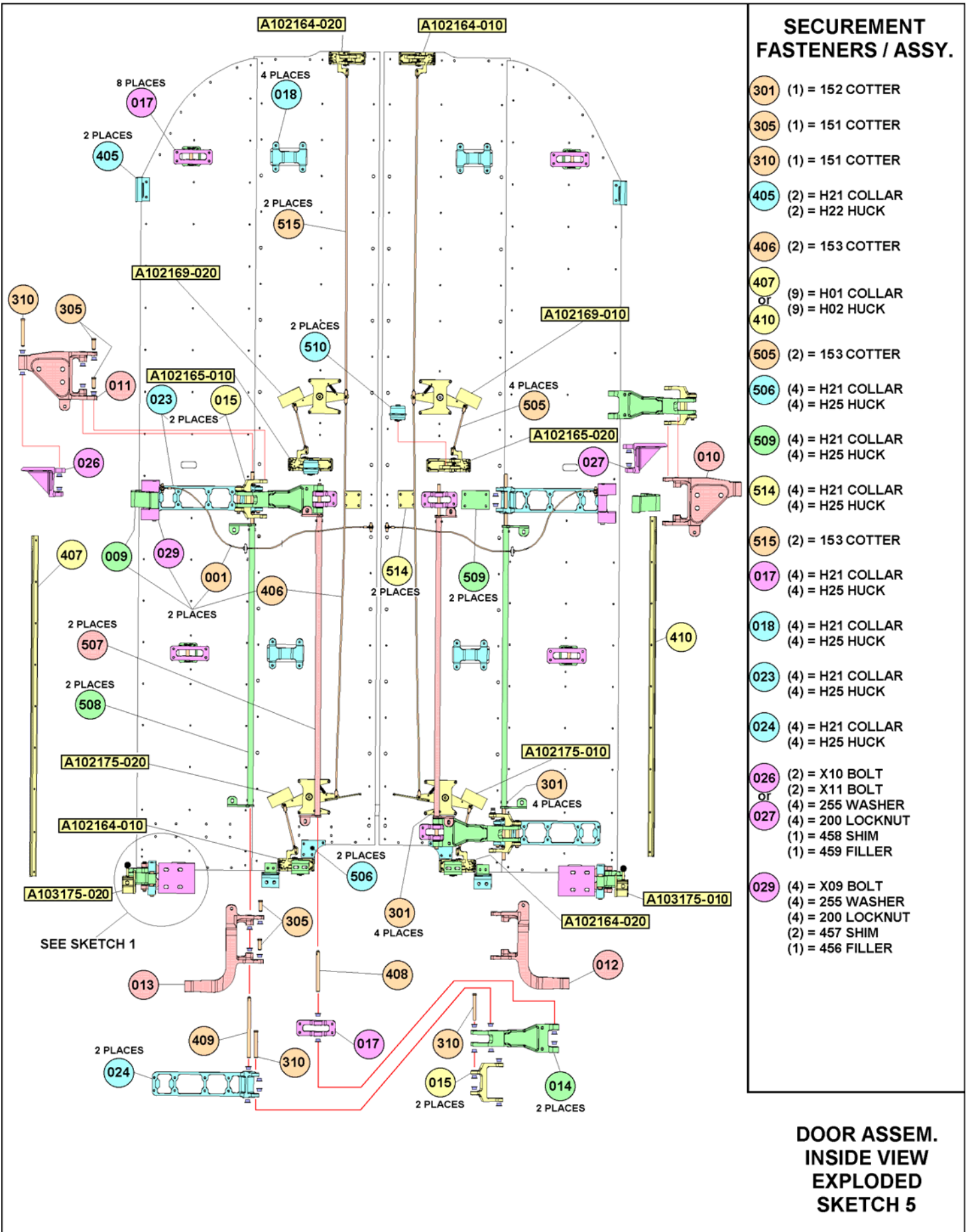
**DOOR ASSEM.
OUTSIDE VIEW
SKETCH 3**

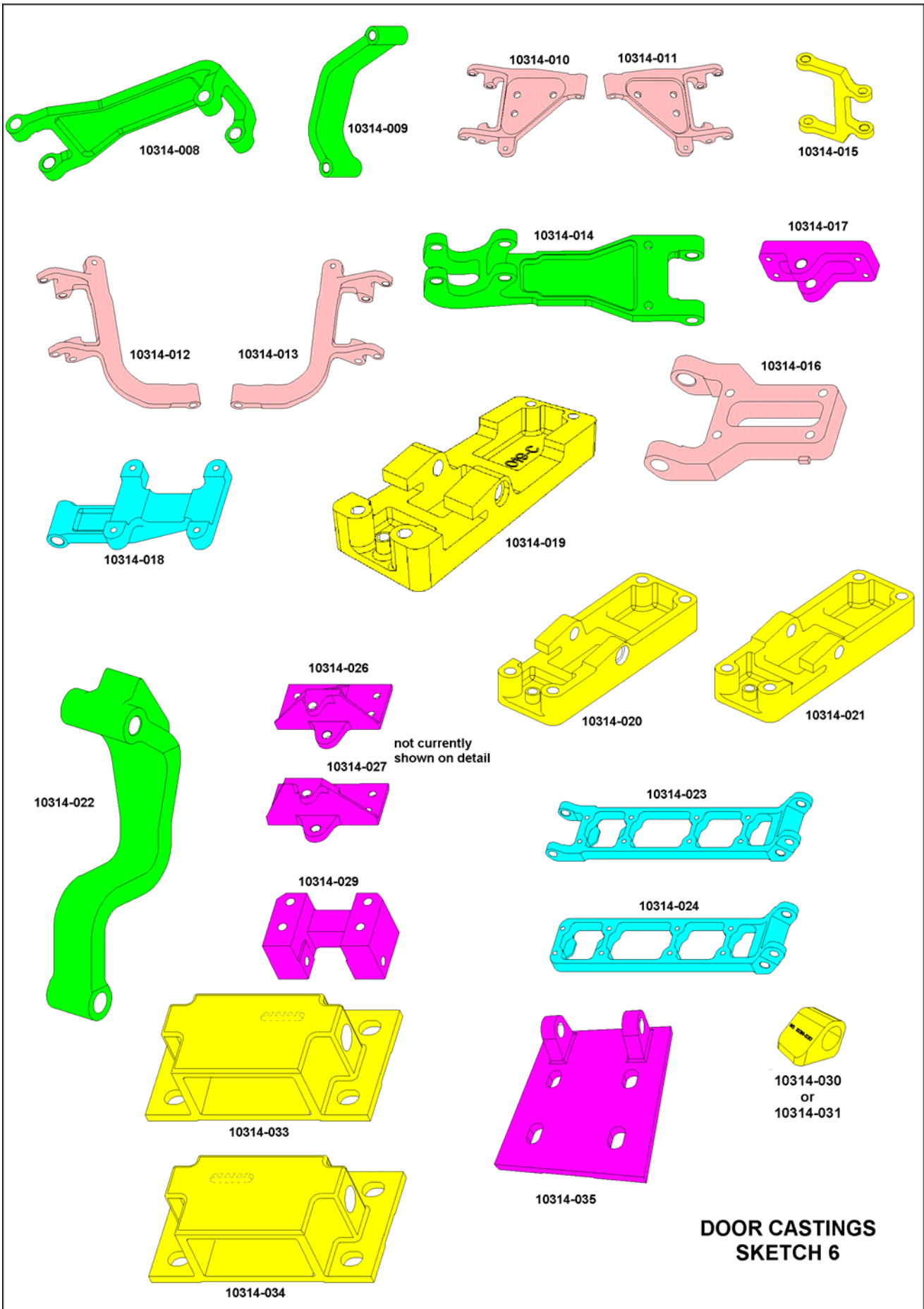
**SECUREMENT
FASTENERS / ASSY.**

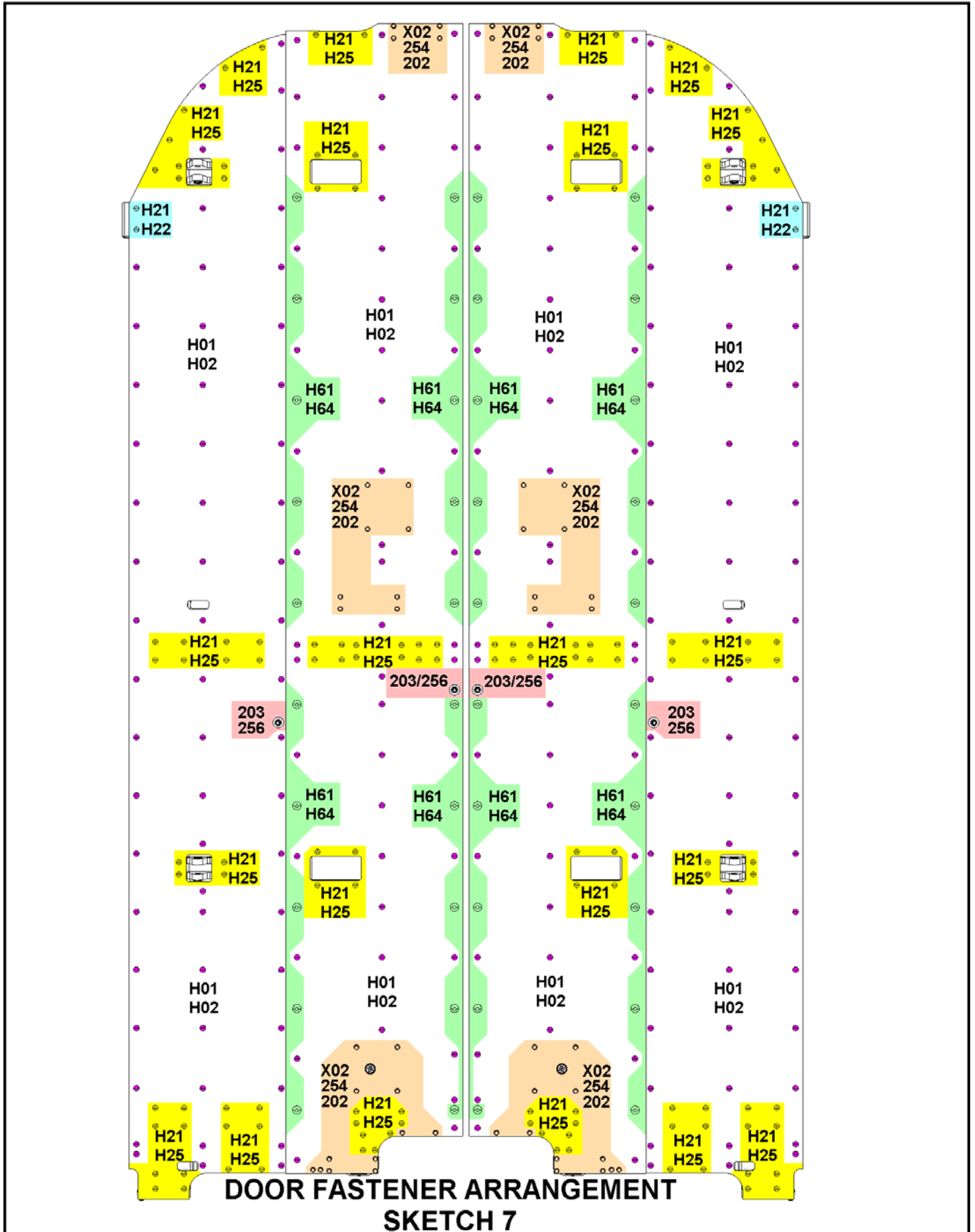
- 412** (3) = H21 COLLAR
(3) = H22 HUCK
- 418** (2) = H21 COLLAR
(2) = H23 HUCK

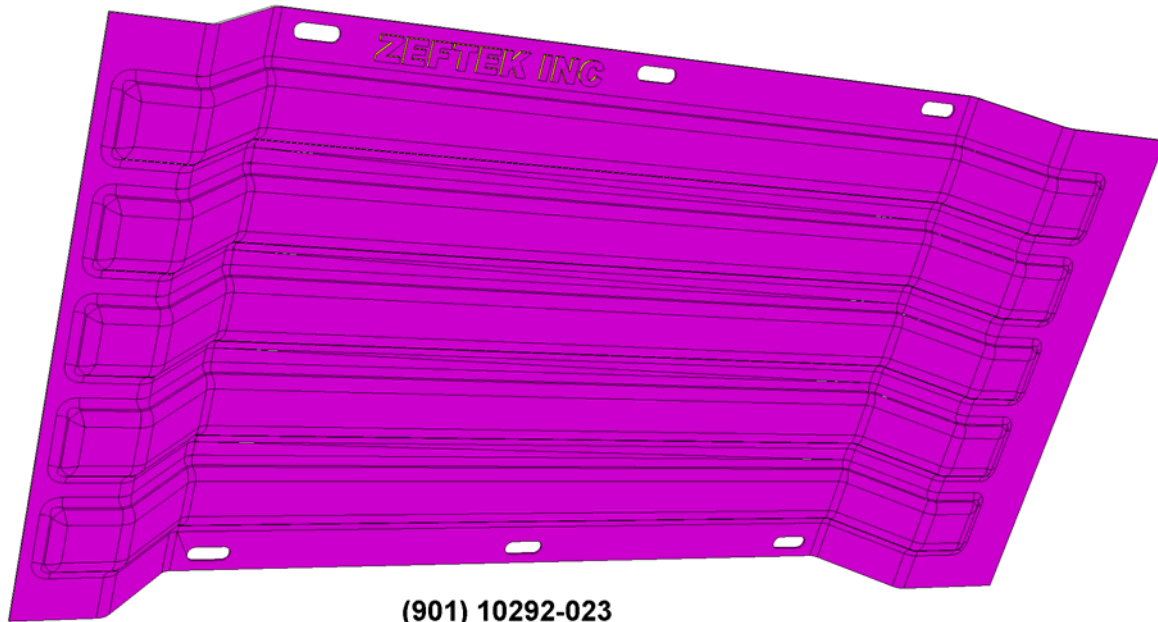


**DOOR ASSEM.
INSIDE VIEW
SKETCH 4**

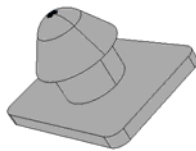




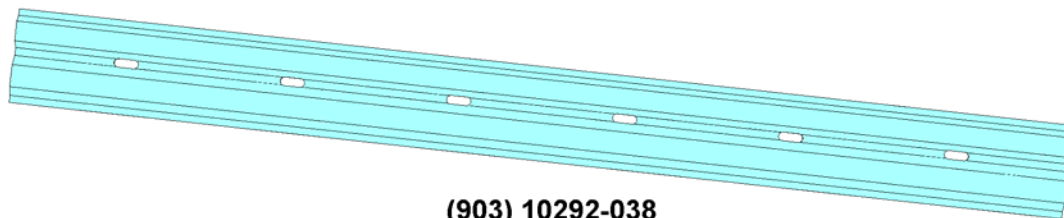




(901) 10292-023



(902) 10292-026



(903) 10292-038

**DOOR EDGE PROTECTION
SKETCH 8**

ref #	pn	description	qty /car	notes	DWG / PN	wgt
001	10305-188	CABLE ASSEMBLY, DOOR	4	includes (3) 10342-023, (2) 10305-188, (2) 10305-189		
002	OBSOLETE 10305-229	MACHINE HANDLE, BALL TYPE	4	(A103175-010, A103175-020)	6303K57	0
003	10342-023	EYE BOLT, SHOULDER PATTERN, STAINLESS STEEL	12	(4 @ A102150-000, 2 @ A102162-010, 2 @ A102162-020, 2 @ A102163-010, 2 @ A102163-020)		0.38
004	10305-189	THIMBLE, WIRE, MCMMASTER 3868T44				
005	10305-190	COMP FIT, OVAL. MCMMASTER 3755T17				
006	10305-268	THREADED CONNECTING LINK		Added 03/2006		
007	10305-269	SPACER, 1/4"X 3/8"X 1"		Added 03/2006		
008	10314-008	LINK, DOOR, ALUMINUM	8			3.61
009	10314-009	LINK, DOOR, ALUMINUM	4			6.55
010	10314-010	DOOR LINK, ALUMINUM	2			17.23
011	10314-011	DOOR LINK, ALUMINUM	2			17.23
012	10314-012	DOOR LINK, ALUMINUM	2			9.68
013	10314-013	DOOR LINK, ALUMINUM	2			9.68
014	10314-014	DOOR LINK, ALUMINUM	8			8.11
015	10314-015	LINK, DOOR, ALUMINUM	8			2.25
016	10314-016	CLEVIS, DOOR, ALUMINUM	4			2.58
017	10314-017	CLEVIS, DOOR, ALUMINUM	16			3.33
018	10314-018	SUPPORT, DOOR LINK, ALUMINUM	8			5
019	10314-019	HOUSING, DOOR LOCK, ALUMINUM	4			1.55
020	10314-020	HOUSING, DOOR LOCK, ALUMINUM	4			1.46
021	10314-021	HOUSING, DOOR LOCK, ALUMINUM	4			1.46
022	10314-022	LINK, DOOR, ALUMINUM	4			6.42
023	10314-023	CLEVIS DOOR, ALUMINUM	4			0
024	10314-024	CLEVIS DOOR, ALUMINUM	4			0
025	10314-025	BRACE, B- DECK ALUMINUM	46	NOT DOOR CASTING		3.72
026	10314-026	CLEVIS DOOR ALUMINUM	2			5.77
027	10314-027	CLEVIS DOOR ALUMINUM	2			5.77
028	10314-028	SUPPORT, CROSSBEARER	42	NOT DOOR CASTING		15.92
029	10314-029	CLEVIS, DOOR, STAINLESS STEEL	4			30.72
030	10314-030	HINGE, BRIDGE PLATE, CAST STEEL	8	NOT DOOR CASTING		0.72
031	10314-031	HINGE, BRIDGE PLATE, STAINLESS STEEL	8	NOT DOOR CASTING		0.72
032	10314-032	TRANSITION CASTING, CENTER SILL	2	NOT DOOR CASTING		305.89
033	10314-033	LOCK, HOUSING, ALUMINUM	2			3.65
034	10314-034	LOCK, HOUSING, ALUMINUM	2			3.65
035	10314-035	ASSEMBLY, DOOR CLEVIS		WAS (511) A102192-000		
101	10260-115	SPACER DOOR SUPPORT	124			0
102	10263-003	BUSHING, DOOR , 1.375 RD X 0.750 LG.	280	(24 @ A102160-000, 128 @ A102161-010, 128 @ A102161-020)	M102261-000 5B-551	
103	10263-004	BUSHING, DOOR LOCK, 0.625 RD X 0.79 LG.	12	(4 @ A102164-010, 4 @ A102164-020, 2 @ 102165-010, 2 @ A102165-020)	M102263-000 5B-552	
104	10263-005	BUSHING, LATCH ROD, 0.375 RD. X 0.438 LG.	28		M102275-000 5B-556	

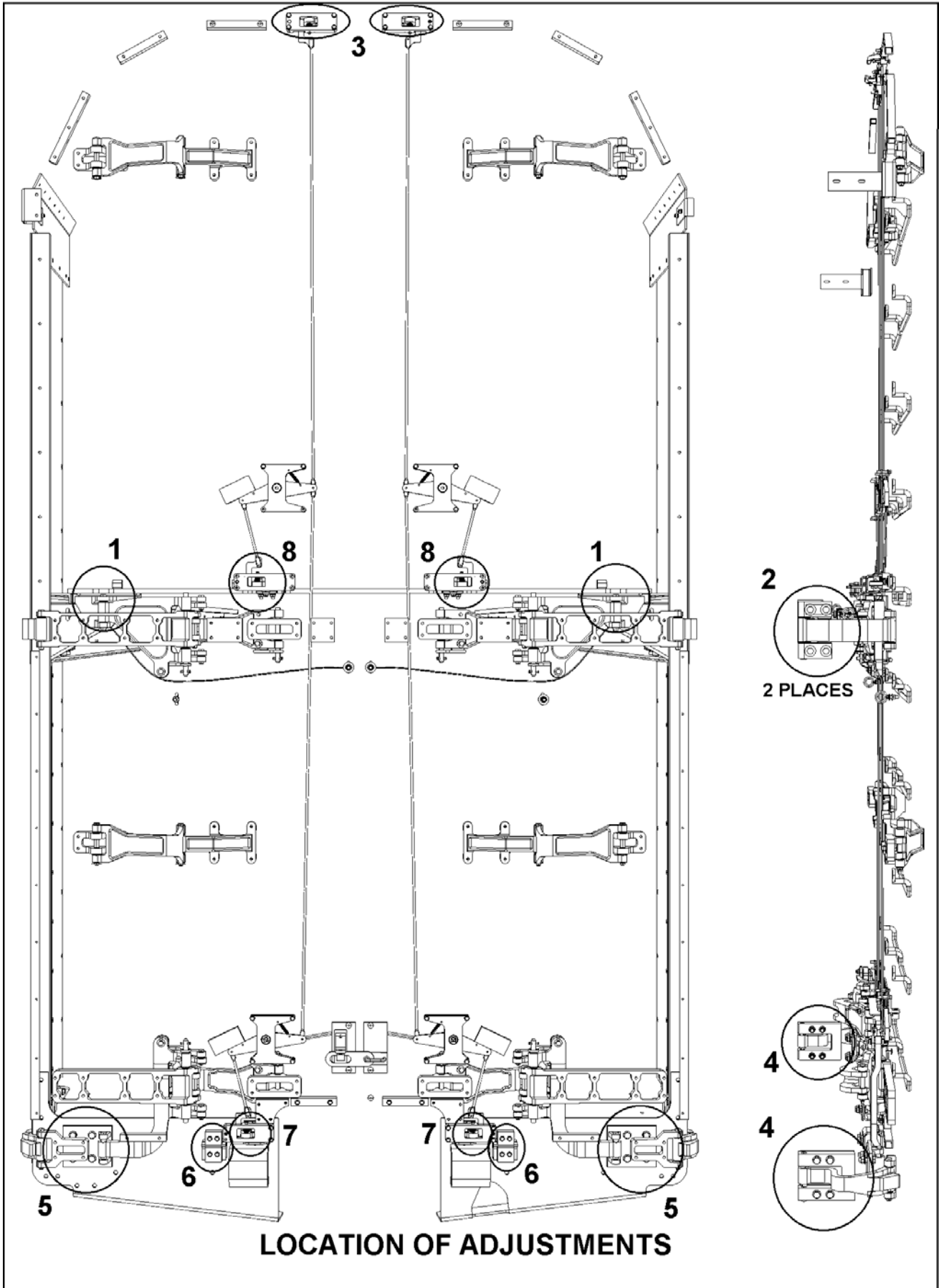
ref #	pn	description	qty /car	notes	DWG / PN	wgt
105	10263-006	BUSHING, LOCK ACTUATOR, 2.0 RD. X 0.25 DIA.	16	(4 @ A102169-010, 4 @ A102169-020, 4 @ A102175-010, 4 @ A102175-020)	M102312-000 5B-557	
106	10263-007	BUSHING, DOOR LOCK, 1.015 RD. X 3.375 LG.	8		M102343-000 5B-558	
107	10263-008	BUSHING, DOOR LOCK, 0.625 RD. X 1.0 LG.	4	OBSELETE (A103175-010, A103175-020)	10263-008 5B-559	
108	10292-035	SLEEVE STRIKER, 1.25 IN DIA, X 1.75 IN LONG	4		M102365-000 5B-553	0
109	10292-036	SLEEVE STRIKER, 1.25 IN DIA, X 2.5 IN LONG	8		M102366-000 5B-554	0
110	10292-037	SUPPORT DOOR, 2.75 X 1.25 X 2.75 IN LONG, GR. UHMW PE PER JAC # B-	4		M102270-000 5B-555	0
111	10292-049	DOOR LOCK COVER PLATE W/CAP BLAR	2	Added 03/2006		
112	10292-050	DOOR LOCK COVER PLATE W/CAP BRAL	2	Added 03/2006		
150	10238-034	COTTER PIN, 1/8 IN X 1IN STAINLESS STEEL	12	(4 @ A102164-010, 4 @ A102164-020, 2 @ A102165-010, 2 @ A102165-020) NOT SHOWN	98355A140	0
151	10238-048	COTTER PIN, 5/32 IN X 1-1/4 IN STAINLESS STEEL	68	(4 @ A102160-000, 26 @ A102161-010, 26 @ A102161-020, 4 @ A102401-000, 4 @ A102402-000, 4 @ A102403-000) NOT SHOWN		0
152	10238-049	COTTER PIN, 3/32 IN X 3/4 IN STAINLESS STEEL	28	(8 @ A102161-010, 8 @ A102161-020, 4 @ A102164-010, 4 @ A102164-020, 2 @ A102165-010, 2 @ A102165-020) NOT SHOWN		0
153	10238-052	COTTER PIN, 5/64 IN X 1/2 IN STAINLESS STEEL	28	(14 @ A102163-010, 14 @ A102163-020) NOT SHOWN		0
200	10264-004	LOCKNUT, 5/8 IN - 11, UNA-DRIV STOVER (MAY SUBSTITUTE 10264-036)	232	(184 @ A102150-000, 48 @ A102160-000)	SN7516LB	0.109
201	10250-003	½" CENTER LOCK NUT	4	Added 03/2006		
202	7 10264-037	LOCK NUT, 3/8" STOVER, ELISHA COATED		Added 03/2006		
203	7 10264-038	LOCK NUT, 1/2" ELISHA COATED		Added 03/2006		
250	10340-053	WASHER, 0.531 ID, X 1 OD, X 0.063"THICK, 1/2" STD NARROW, SS	12	(4 @ A102164-010, 4 @ A102164-020, 2 @ A102165-010, 2 @ A102165-020) NOT SHOWN		0
251	10340-054	WASHER, 0.812 ID, X 1.375 OD, X 0.1" THICK, 3/4" STD NARROW, SS	220	(12 @ A102160-000, 100 @ A102161-010, 100 @ A102161-020, 4 @ A102401-000, 4 @ A102402-000) NOT SHOWN		0
252	10340-069	WASHER, .375 NOMINAL, STAINLESS STEEL .25 I.D. X .734 O.D. X .063 THK	28	(14 @ A102163-010, 14 @ A102163-020) NOT SHOWN		0
253	10340-075	WASHER, 5/8 IN, HARDENED, A-325 ZINC PLATED	48	(48 @ A102160-000) NOT SHOWN		0.034

ref #	pn	description	qty /car	notes	DWG / PN	wgt
254	10340-094	WASHER, 3/8 IN STANDARD, ZINC AND ELISHA PLATED	116	(20 @ A103585-000, 48 @ A102163-010, 48 @ A102163-020) NOT SHOWN		0.14
255	10340-095	WASHER, 5/8", 1 3/4" OD. ZINC AND ELISHA PLATED	24	24 @ A102160-000 NOT SHOWN		0.0769
256	10340-096	WASHER, 1/2 ID, 2 OD, 1/8" THICK, ZINC AND ELISHA PLATED	12	(A102160-000)		
257	10340-097	WASHER, 1/2", ZINC AND ELISHA PLATED	72	(4 @ A102150-000, 16 @ A102160-000, 26 @ A102161-010, 26 @ A102161-020)		0.0385
258	10340-099	WASHER, 0.781 ID X 1.25 OD, X 0.075" THICK, STAINLESS STEEL	4		10340-099	0.01
300	10190-036	CLEVIS PIN, 1/4 DIA X 7/8 LG, 3/32 DIA HOLE - STAINLESS STEEL	28	(4 @ A102183-010, 4 @ A102183-020, 8 @ A102186-000, 4 @ A102187-000, 4 @ A102197-010, 4 @ A102197-020)	92390A186	0
301	10190-043	CLEVIS PIN, 3/8 DIA X 1-1/2 LG, 5/32 DIA HOLE - STAINLESS STEEL	16	(8 @ A102161-010, 8 @ A102161-020)	92390A273	0
302	10190-045	CLEVIS PIN, 3/4 DIA X 6-1/2 LG, 0.182 DIA HOLE - STAINLESS STEEL	8	(4 @ A102161-010, 4 @ A102161-020)		0
303	10190-046	CLEVIS PIN, 3/4 DIA X 7 LG, 0.182 DIA HOLE - STAINLESS STEEL	4	(4 @ A102160-000)		0
304	10190-047	CLEVIS PIN, 3/4 DIA X 6-3/4 LG, 0.182 DIA HOLE - STAINLESS STEEL	16	(8 @ A102161-010, 8 @ A102161-020)		0
305	10190-048	CLEVIS PIN, 3/4 DIA X 2-1/4 LG, 0.182 DIA HOLE - STAINLESS STEEL	16	(8 @ A102161-010, 8 @ A102161-020)		0
306	10190-049	CLEVIS PIN, 1/2 IN DIA X 3 LG, 5/32 DIA HOLE - STAINLESS STEEL	12	(4 @ A102164-010, 4 @ A102164-020)	92390A395	0
307	10190-050	CLEVIS PIN, 3/8 IN DIA X 1-1/8 LG. 5/32 DIA HOLE - STAINLESS STEEL	12	(4 @ A102164-010, 4 @ A102164-020, 2 @ A102165-010, 2 @ A102165-020)	92390A270	0
308	10190-052	CLEVIS PIN, 3/4 IN DIA X 3 1/2 LG. 0.182 DIA HOLE - STAINLESS STEEL	8	(4 @ A102401-000, 4 @ A102402-000)		0
309	10190-055	CLEVIS PIN, 3/4 DIA X 5 LG, 0.182 DIA HOLE - STAINLESS STEEL	4	(4 @ A102160-000)		0
310	10190-056	CLEVIS PIN, 3/4 DIA X 6 LG, 0.182 DIA HOLE - STAINLESS STEEL	20	(4 @ A102160-000, 8 @ A102161-010, 8 @ A102161-020)		0
311	10190-057	CLEVIS PIN, 3/4 DIA X 9 LG, 0.182 DIA HOLE - STAINLESS STEEL	4	(4 @ A102160-000)		0
312	10190-069	CLEVIS PIN, 3/4 IN DIA X 2 1/2 LG. 0.182 DIA HOLE - STAINLESS STEEL	4	(4 @ A102199-000) welded in assemb.		0
313	10190-070	ROLL PIN, 3/8 X 1-3/4 LG, STAINLESS STEEL	12	(4 @ A102164-010, 4 @ A102164-020, 2 @ A102165-010, 2 @ A102165-020)		
314	10190-078	CLEVIS PIN, 1/2 IN DIA X 4 LG, 5/32 DIA HOLE - STAINLESS STEEL	4	2 @ A102165-010, 2 @ A102165-020)		
350	10320-019	SPRING, TORSION, LH 0.767 OD X 0.637 ID X 0.065 WIRE DIA	6	(4 @ A102164-020, 2 @ A102165-020)		0.013
351	10320-020	SPRING, TORSION, RH 0.891 OD X 0.721 ID X 0.085 WIRE DIA	6	(4 @ A102164-020, 2 @ A102165-020)		0.034
352	10320-021	SPRING, TORSION, LH 0.891 OD X 0.721 ID X 0.085 WIRE DIA	6	(4 @ A102164-010, 2 @ A102165-010)		0.034
353	10320-022	SPRING, TORSION, RH 0.767 OD X 0.637 ID X 0.065 WIRE DIA	6	(4 @ A102164-010, 2 @ A102165-010)		0.01

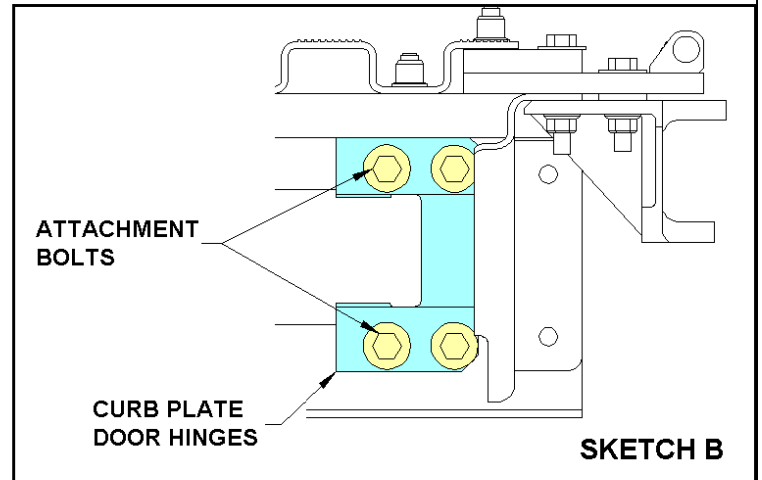
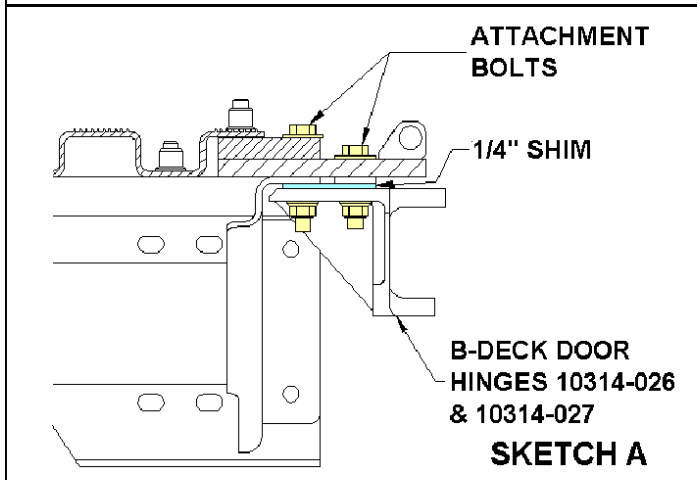
ref #	pn	description	qty /car	notes	DWG / PN	wgt
354	10320-033	EXTENSION, 0.635 OD, X 2.481 LENGTH INSIDE ENDS, 0.080 IN WIRE DIA	8	(4 @ A102163-010, 4 @ A102163-020) replaces 10320-024		0.01
355	10320-027	CENTURY, SPRING, COMPRESSION, 0.975 O.D. X 0.849 I.D. X 3.5 FREE LENGTH, 0.063 WIRE DIA., SS	4	(A103175-010, A103175-020)		0
356	10320-031	SPRING, EXTENSION, 0.5 O.D. X 11, SS	4	Added 03/2006		
400	M102367-000	CLEVIS, A- DECK STRIKER				
401	M102257-000	LATCH, DOOR LOCK				
402	M102258-000	RELEASE, DOOR LOCK				
403	M103173-000	ROD, LOCK HOUSING				
404	M102272-000	SUPPORT, LOCK ACTUATOR				
405	M103671-001	RETAINER, DOOR		Revised 03/2006		
406	M102254-003	ROD, LOCK				
407	M103134-021	SHROUD, DOOR				
408	M102247-001	PIN, DOOR LINK 0.75 X 9.375				
409	M102247-002	PIN, DOOR LINK 0.75 X 14.125				
410	M103134-011	SHROUD, DOOR				
411	M103670-001	RETAINER, DOOR		Revised 03/2006		
412	M103913-000	DOOR STOP				
413	M102289-000	CLEVIS, DOOR				
414	M103181-000	SUPPORT, DOOR		SOLD AS ASSEMBLY		
415	M103182-000	SUPPORT, DOOR SUPPORT		SOLD AS ASSEMBLY		
416	M103183-000	SUPPORT, DOOR		SOLD AS ASSEMBLY		
417	M103186-000	GUSSET, DOOR SUPPORT		SOLD AS ASSEMBLY		
418	M103912-000	PAD, DOOR		Added 03/2006		
450	7 M102368-000	SHIM, STRIKER		Added 03/2006		
451	7 M102353-000	SHIM, STRIKER		Added 03/2006		
452	7 M103905-000	SHIM, DOOR LOCK		Added 03/2006		
453	2 M103819-000	SHIM, DOOR RETAINER		Added 03/2006		
454	2 M102359-001	SHIM, DOOR CLEVIS		Added 03/2006		
455	2 M102344-001	SHIM, DOOR CLEVIS		Added 03/2006		
456	2 M102344-001	SHIM, DOOR CLEVIS FILLER		Added 03/2006		
457	2 M102344-001	SHIM, DOOR CLEVIS		Added 03/2006		
458	4 M102360-000	SHIM, DOOR CLEVIS		Added 03/2006		
459	4 M102373-000	SHIM, DOOR CLEVIS FILLER		Added 03/2006		
500	A102198-000	ASSEMBLY, B-DECK STRIKER				
501	A102183-010	ASSEMBLY, LOCK ACUATOR ARM				
502	A102183-020	ASSEMBLY, LOCK ACUATOR ARM				
503	A102197-010	ASSEMBLY, LOCK ACTUATOR ARM				
504	A102197-020	ASSEMBLY, LOCK ACTUATOR ARM				
505	A102186-000	ASSEMBLY, LOCK ROD	8			
506	A102168-000	ASSEMBLY, DOOR SUPPORT				
507	A102176-000	ASSEMBLY, TORSION ROD				
508	A102177-000	ASSEMBLY, TORSION ROD				
509	A102167-000	ASSEMBLY, DOOR SUPPORT				
510	A102402-000	ASSEMBLY, B-DECK STRIKER				
511	A102192-000	ASSEMBLY, DOOR CLEVIS		OBSOLETE SEE 10314-035 ITEM (035)		
512	A102408-000	ASSEMBLY, HASP				
513	A102409-000	ASSEMBLY, STAPLE				

ref #	pn	description	qty /car	notes	DWG / PN	wgt
514	A102166-000	ASSEMBLY, DOOR SUPPORT				
515	A102187-000	ASSEMBLY, LOCK ROD				
516	A102199-000	ASSEMBLY, ROOF STRIKER				
700	M102232-010	OUTER DOOR SHEET, CORNER DOOR BL AR				
701	M102232-020	OUTER DOOR SHEET, CORNER DOOR BR AL				
702	M102233-010	OUTER DOOR SHEET, CENTER DOOR BL AR				
703	M102233-020	OUTER DOOR SHEET, CENTER DOOR BR AL				
704	M101197-046	GRAB IRON, STYLE 1 (0.75 DIA) 0.75 X 37.5				
705	M102234-024	INSIDE DOOR PANEL, CORNER DOOR , UPPER OUTB, BR AL				
706	M102234-022	INSIDE DOOR PANEL, CORNER DOOR , UPPER INB, BR AL				
707	M102235-024	INSIDE DOOR PANEL, CENTER DOOR , UPPER OUTB, BR AL				
708	M102235-022	INSIDE DOOR PANEL, CENTER DOOR , UPPER INB, BR AL				
709	M102235-012	INSIDE DOOR PANEL, CENTER DOOR , UPPER INB, BL AR				
710	M102235-014	INSIDE DOOR PANEL, CENTER DOOR , UPPER OUTB, BL AR				
711	M102234-012	INSIDE DOOR PANEL, CORNER DOOR , UPPER INB, BL AR				
712	M102234-014	INSIDE DOOR PANEL, CORNER DOOR , UPPER OUTB, BL AR				
713	M102234-013	INSIDE DOOR PANEL, CORNER DOOR , LOWER OUTB, BL AR				
714	M102234-011	INSIDE DOOR PANEL, CORNER DOOR , LOWER INB, BL AR				
715	M102235-013	INSIDE DOOR PANEL, CENTER DOOR , LOWER OUTB, BL AR				
716	M102235-011	INSIDE DOOR PANEL, CENTER DOOR , LOWER INB, BL AR				
717	M102235-021	INSIDE DOOR PANEL, CENTER DOOR , LOWER INB, BR AL				
718	M102235-023	INSIDE DOOR PANEL, CENTER DOOR , LOWER OUTB, BR AL				
719	M102234-021	INSIDE DOOR PANEL, CORNER DOOR , LOWER INB, BR AL				
720	M102234-023	INSIDE DOOR PANEL, CORNER DOOR , LOWER OUTB, BR AL				
721	M103962-000	LOCK HANDLE		Added 03/2006		
722	M101197-070	GRAB IRON, STYLE 1 (0.75 DIA) 0.75 X 37.5		Added 03/2006		
900	10252-019	I.E.C. HOLDEN CHOCK SYSTEM FOR A BI LEVEL AUTO RACK	1	NOT SHOWN	GLC 8023	0
901	10292-023	JTA DOOR EDGE, 46.50 IN LONG	88	NOT SHOWN	ZT-375 8B-375	0
902	10292-026	DOOREDGE BUTTONS, 1.615 IN LONG	668	NOT SHOWN	ZT-176 9B-176	0
903	10292-038	JTA DOOR EDGE PROTECTION AT ROOF, 8 IN WIDE	28	NOT SHOWN	8B-373	0

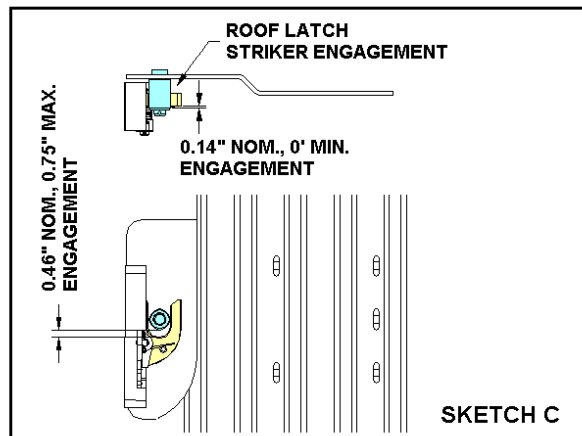
ref #	pn	description	qty /car	notes	DWG / PN	wgt
H01	2 10231-151	HUCK COLLAR 1/4"		Added 03/2006	3LC-2R8G4L	
H02	2 10231-156	HUCK PIN 1/4"		Added 03/2006	R3530T-R8-8XDB	
H21	2 10231-149	HUCK COLLAR 3/8"		Added 03/2006	3LC-2R12G4L	
H22	2 10231-152	HUCK PIN 3/8"		Added 03/2006	C6LT-R12-8G4	
H23	2 10231-154	HUCK PIN 3/8"		Added 03/2006	C6LT-R12-12G4	
H24	2 10231-153	HUCK PIN 3/8"		Added 03/2006	C6LT-R12-4G4	
H25	2 10231-157	HUCK PIN 3/8"		Added 03/2006	C6LT-R12-24G4	
H61	2 10231-144	HUCK COLLAR 5/8"		Added 03/2006	3LC-2R20G4L	
H62	2 10231-142	HUCK PIN 5/8"		Added 03/2006	C6LT-R20-4G4	
H63	2 10231-143	HUCK PIN 5/8"		Added 03/2006	C6LT-R20-8G4	
H64	2 10231-145	HUCK PIN 5/8"		Added 03/2006	C6LT-R20-12G4	
X01	7 10342-040	¼" (14) X 2" SELF DRILLING SCREW	4	Added 03/2006		
X02	7 10298-297	HEX BOLT 3/8X2-1/4 ELISHA COATED		Added 03/2006		
X03	7 10298-298	HEX BOLT 3/8 X 1 ELISHA COATED		Added 03/2006		
X04	7 10298-159	HEX BOLT 1/2X1-3/4 ZINC PLATED		Added 03/2006		
X05	7 10298-297	HEX BOLT 1/2X2-1/4 ELISHA COATED		Added 03/2006		
X06	7 10298-065	HEX BOLT 5/8X1-3/4 ZINC PLATED		Added 03/2006		
X07	2 10298-076	HEX BOLT 5/8X2-1/4 ZINC PLATED		Added 03/2006		
X08	2 10298-294	HEX BOLT 5/8X4 ELISHA COATED		Added 03/2006		
X09	2 10298-302	HEX BOLT 5/8X6-1/2 ELISHA COATED		Added 03/2006		
X10	4 10298-300	HEX BOLT 5/8X2-3/4 ELISHA COATED		Added 03/2006		
X11	4 10298-301	HEX BOLT 5/8X3-3/4 ELISHA COATED		Added 03/2006		



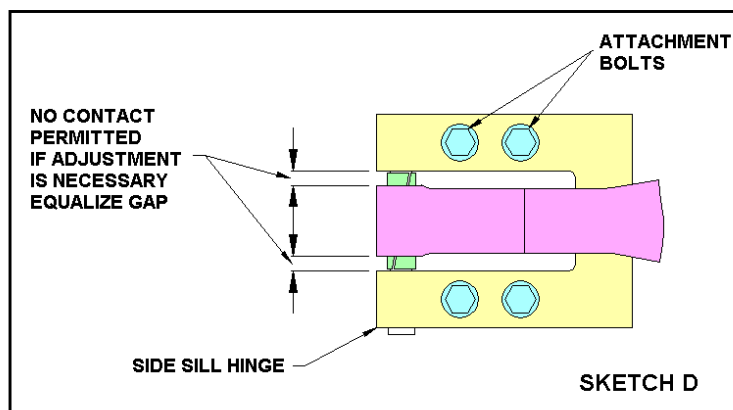
1. With doors partly open, mark the location of the B-deck hinge to the underside of the B-deck with a marker. Loosen the attachment bolts and remove the 4 hole, 1/4" thick shim located between the hinge casting and deck. Do not remove all of the bolts at one time. Remove in a pattern so that the shim, hinge and door will not fall away from the deck. Once shim is removed, align hinge to marked location and tighten bolts respectively. See Sketch A.
2. With doors closed, mark the location of the curb plate hinge to the side wall with a marker. Loosen the attachment bolts and move the hinge up vertically 1/4". Once adjusted, retighten the bolts. See Sketch B.



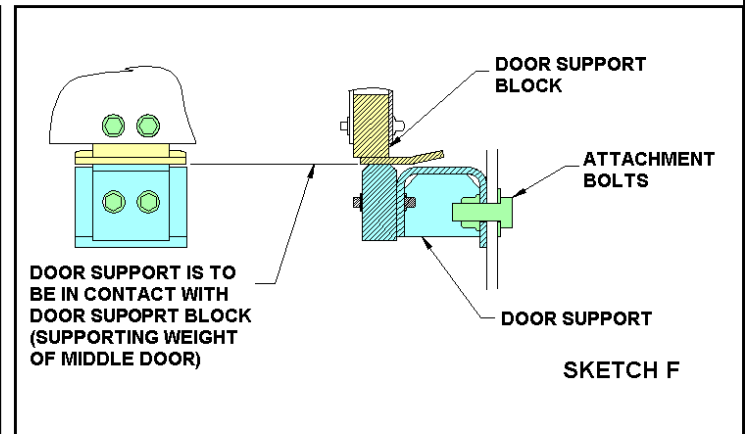
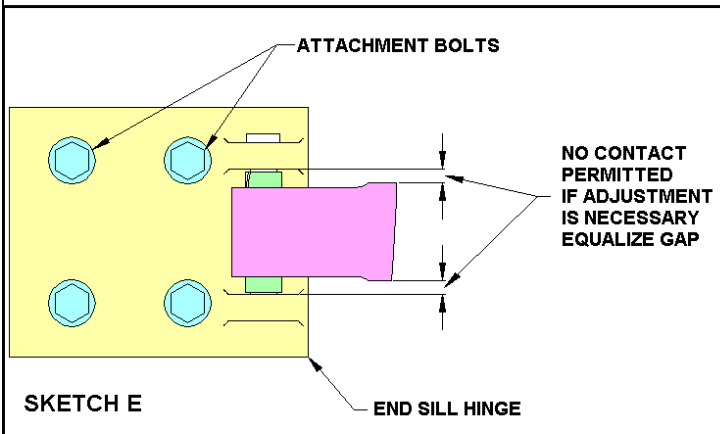
3. If adjustment is needed, readjust roof lock striker engagement as shown in Sketch C. Note the minimum engagement tolerances.



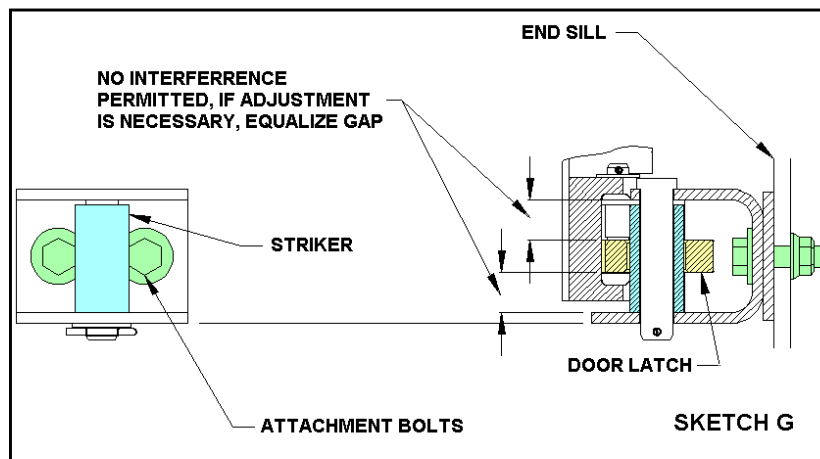
4. If adjustment is needed, loosen the four attachment bolts securing the hinge to the side sill. Readjust hinge as shown in Sketch D and retighten bolts.



5. If adjustment is needed, loosen the four attachment bolt securing the hinge to the end sill. Readjust the hinge as shown in Sketch E and retighten bolts.
- If adjustment is needed, loosen the two attachment bolts securing the door support to the end sill.
6. Readjust the support as shown in Sketch F and retighten bolts.



7. If adjustment is needed, loosen the two attachment bolts securing striker to the end sill. Readjust the striker as shown in Sketch G and retighten bolts. The same horizontal engagement tolerance shown on the roof latch (Sketch C) is also required here.



8. If adjustment is needed, loosen the two attachment bolts securing striker to the B-deck. Readjust the striker as shown in Sketch H and retighten bolts. The same horizontal engagement tolerance shown on the roof latch (Sketch C) is also required here.

