



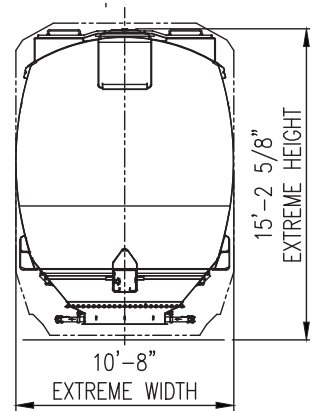
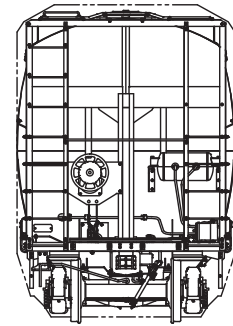
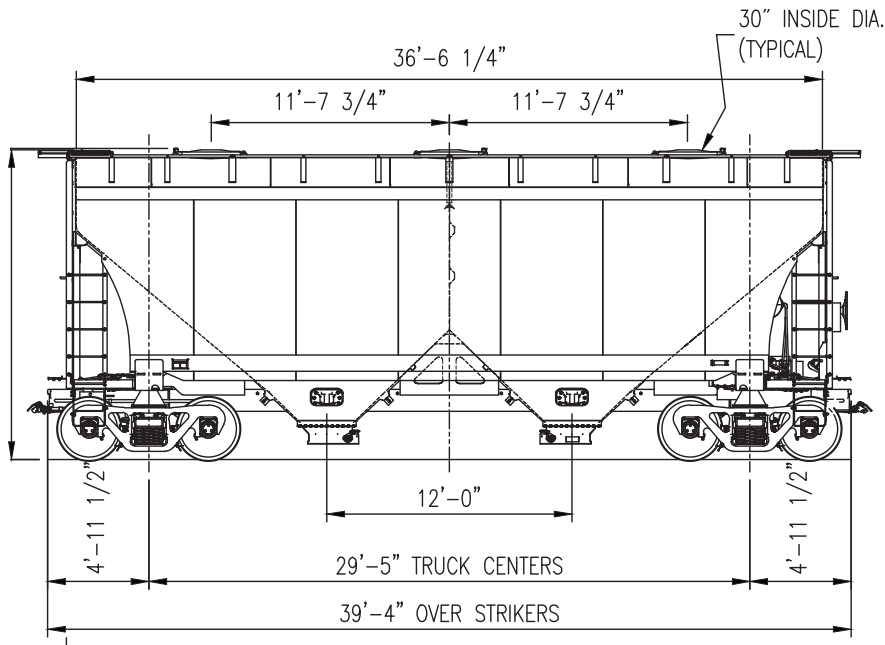
Small Cube Covered Hopper Car

FreightCar America's small cube, high capacity covered hopper car is ideal for sand, cement, roofing granules and other dense dry cargos. This car incorporates the latest design and manufacturing techniques for a high quality, reliable railcar. It additionally features FreightCar America's patented, high strength cold-rolled steel center sill, which is stronger and lighter than conventional designs. This and other engineering features contribute to the car's reduced tare weight, yielding a highly productive payload capacity. This car also incorporates industry standard hatch covers and discharge gates.

FreightCar America has been a leader in development of innovative freight car designs for over a century. Contact us to find out more about purchase or lease options for this car and other FreightCar America covered hopper car product offerings.

For more information give us a call at:
*800-458-2235 - or - sales@freightcar.net
www.freightcaramerica.com*

***FreightCar
America[®]***



Small Cube Covered Hopper Car

General Dimensions (Nominal)

Length inside	36' 6-1/4"
Length over strikers.....	39' 4"
Length over pulling face of couplers.....	41' 11-1/2"
Length between hopper centers	12' 0"
Truck centers	29' 5"
Width, inside.....	10' 7-5/8"
Width, extreme.....	10' 8"
Height, extreme.....	15' 2-5/8"
Lower slope and crossridge floors.....	45°
Intermediate and end floors.....	40°
Hoppers floors.....	50°
Cubic capacity (estimated)	3,282 cu. ft.
Lightweight (estimated)	51,800 lbs.
Load limit.....	234,200 lbs.
Gross rail load	286,000 lbs.
Center of gravity (loaded).....	98.0" estimated

For more information contact us at:

Two North Riverside Plaza, Suite 1300

Chicago, IL 60606

800-458-2235

www.freightcaramerica.com

**FreightCar
America®**